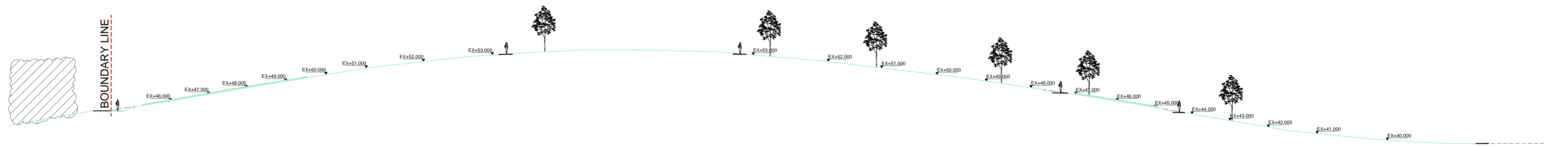


SECTION A / 1:300



SECTION B / 1:300

*Fisheries compliant watercourse with a low flow channel, pools, riffles and glides. (The in-stream biodiversity enhancement measures are subject to further fine resolution detailed design with IFI)

Max 1:3 embankment (both above and below the water line) along full length of the stream

1 m width level 'wet bench' at the normal water surface level

Low channel

OPW 5m level access

invert +35.445

10 m

RIPARIAN ZONE

1800

STREAM

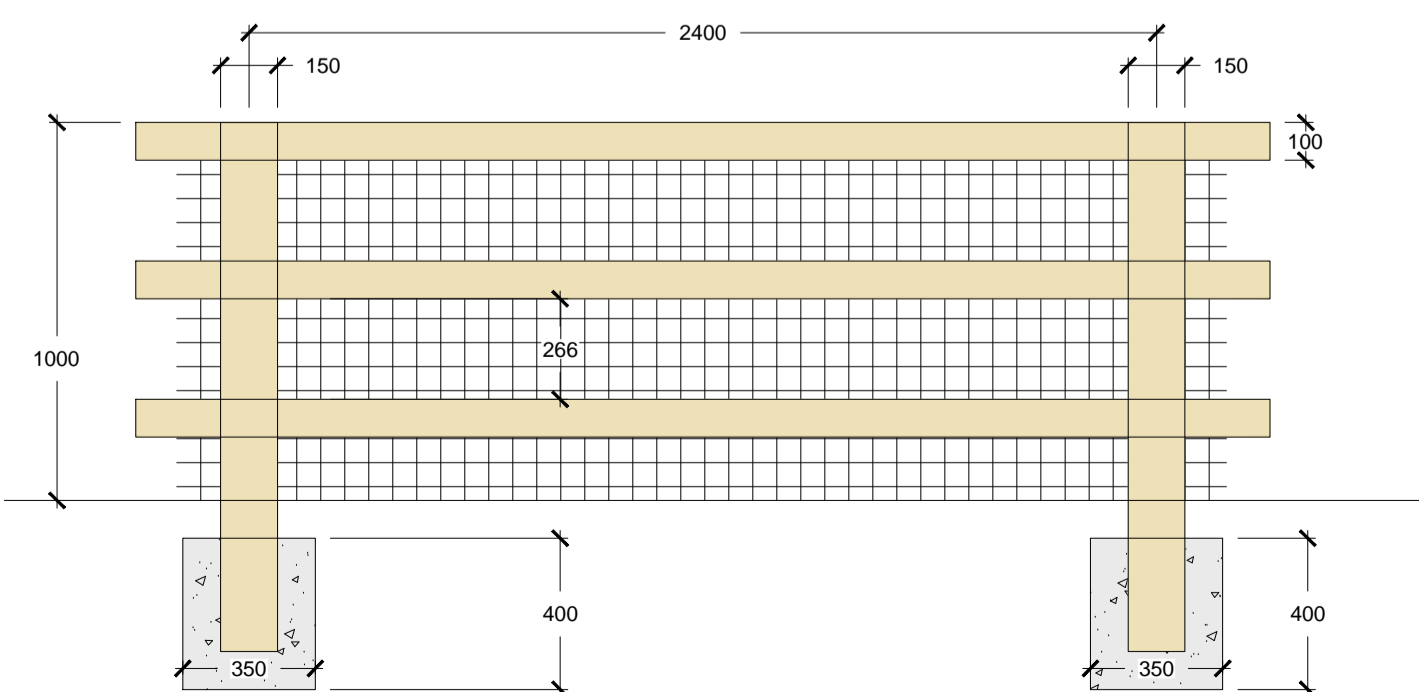
10 m

RIPARIAN ZONE

FITNESS SPACE

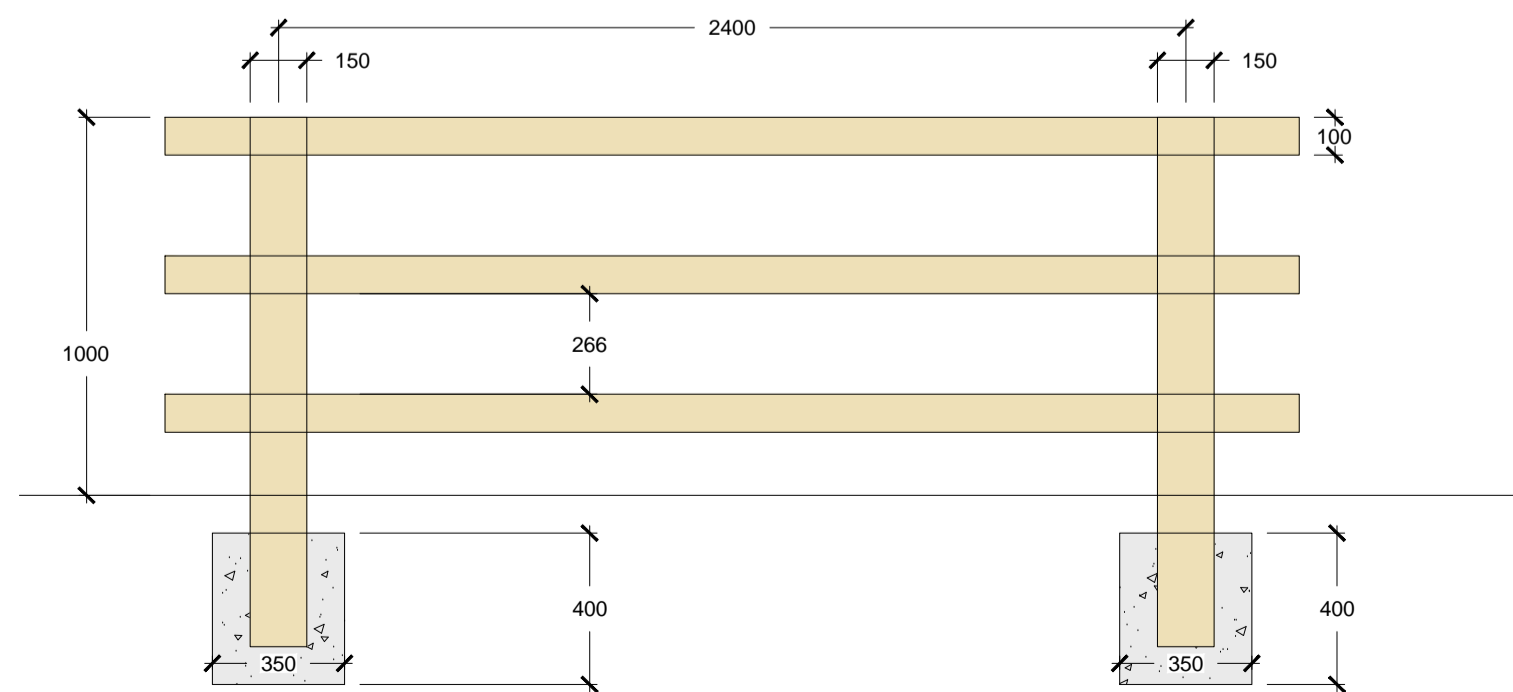
SECTION C / scale 1:100

- Wooden Fence Type 1 (to dog park)
- Fence: Wooden Fence with wire mesh
- Wood larch-planned finished
- Posts at 150x75mm
- 3 railings at 100x50mm
- Set within 400 x 350mm concrete foundation

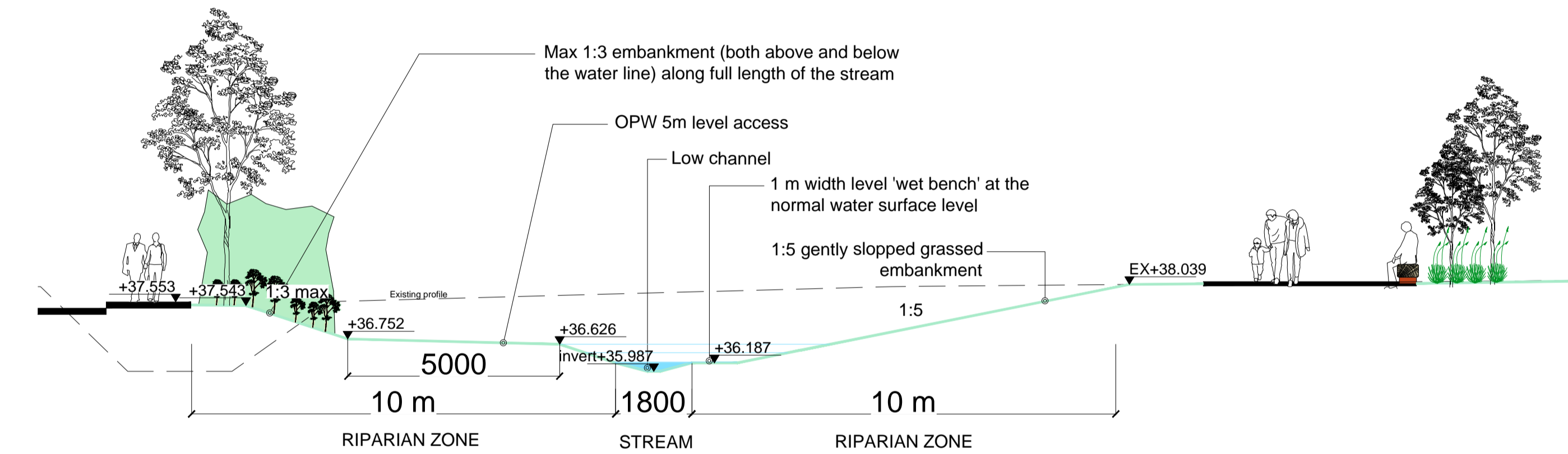


WOODEN FENCE TYPE 1 DETAIL / scale 1:20

- Wooden Fence Type 2
- Fence: Wooden Fence
- Wood larch-planned finished
- Posts at 150x75mm
- 3 railings at 100x50mm
- Set within 400 x 350mm concrete foundation

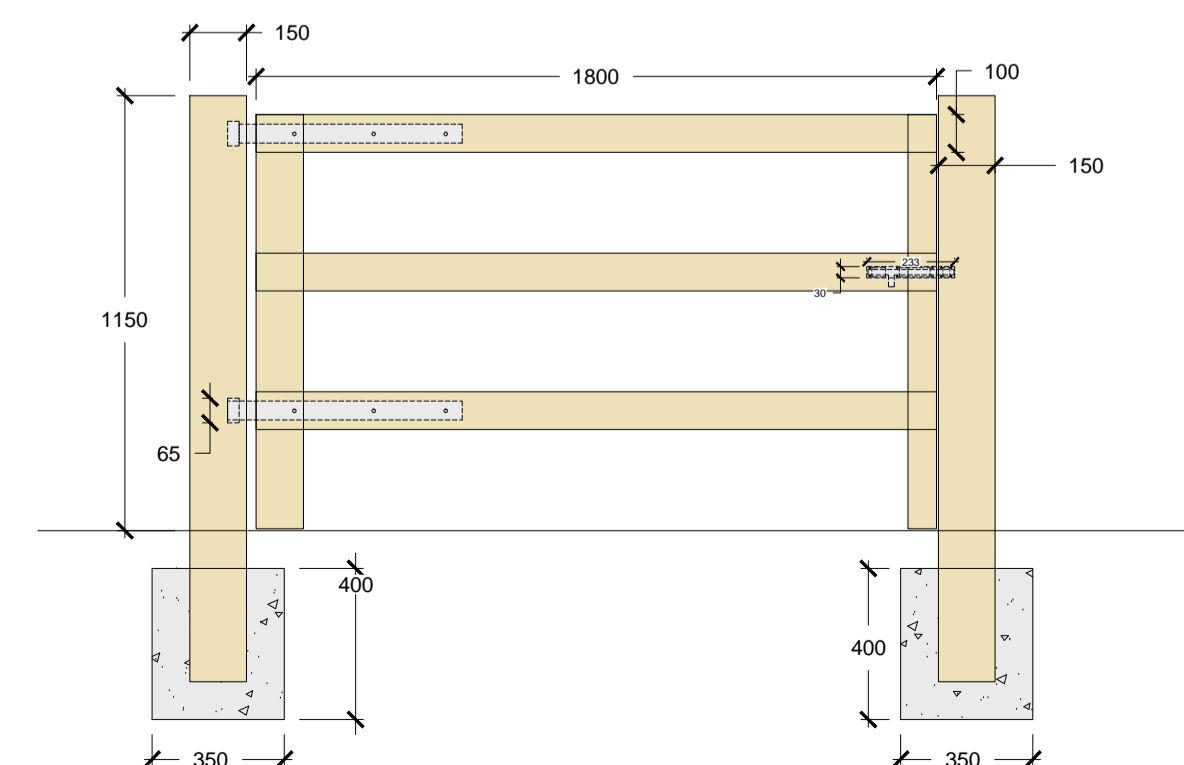


WOODEN FENCE TYPE 2 DETAIL / scale 1:20



SECTION D / scale 1:100

- Gate: Wooden Gate to dog park
- Timber single-swing gate
- Wood larch-planned finished
- 1800mm wide, top rail 100mm, uprights 150mm
- Heavy duty hinge set hook and band, 3mm galvanized steel
- Set within 400 x 320mm concrete foundation
- Slide bolt



WOODEN GATE DETAIL / scale 1:20



KEY PLAN

STEPHEN DIAMOND ASSOCIATES
CHARTERED LANDSCAPE ARCHITECTS

68 Pearse Street Dublin 2 tel: 01 6775670
email: mail@sdacla.ie fax: 01 6775669

Client The Ardee Partnership

Project Residential Dev at Bridgegate, Rathgory & Mulladrillen, Ardee

Title Sections Date Issued 2021-10-19

Drg No 20-547-SDA-PD-DR-200 Scale 1:100 @ A1

Drawn LP Purpose Planning Checked SD